



2023 Catalog SkyPlug

Make any pendant smart, then plug it right into your ceiling



A SkyX Platforms® Product Catalog



We have been awarded!

Some of the best organizations in the industry recognize us as a leading brand in the smart lighting industry.



Members of:

- American Lighting Association
- NEMA
- Consumer Technology Association
- Wi-Fi Alliance
- Bluetooth SIG



National
Electrical Code



American National
Standards Institute



American National
Standards Institute



American Institute
of Architects



International Association
of Electrical Inspectors

2023 SkyPlug Canopy Smart

Available Finishes



Plug your light right into the ceiling

No more hardwiring! Changing your light is just as easy as plugging in a table lamp.



No more hardwiring!
Just plug & play



App control color
changing RGB light



SkyPlug Smart
Day Light



SkyPlug Smart
Night Light



SkyPlug Smart
& SkyOutlet for ceilings



Works just like
a wall plug



Fits cord pendants, downrod
pendants, chandeliers,
semi-flush pendants

What's inside of the SkyPlug Smart

Unlock the full suite of SkyPlug features with our all-included starter kit.

Everything you need to create a personalized experience:

- SkyPlug Smart
- Single Canopy
- SkyOutlet
- Adaptors For Pendants And Chandeliers (Rod, Chain Or Cord)



Carina Smart Canopy

Explore all the features available with our color changing light base.

What's included:

- Color changing Smart lighting base with SkyPlug and SkyOutlet Canopy and hardware
- Adapters for chain, rod or cord suspended fixtures
- Suitable for luminaires max. 50 lbs.
- 146 MM Diameter / 5.75" diameter
- Fits chain, rod, or cord suspended fixtures
- Works with AC direct power fixtures



Polished Chrome Finish



Plug & Play Smart Base



Smart functions

- Phone
- Voice Control
- Scheduling
- Eco - Energy Saving Mode
- Dimming
- Backup Light
- Ambiance Color Changing
- Night Light
- Power Meter
- Grouping Control Mode

5912-BN



Brushed Nickel

5912-CH



Polished Chrome

5912-CB



Champagne Bronze

5912-WB



Weathered Brass

5912-MG



Modern Gold

5912-BR



Bronze

5912-MW



Matte White

5912-MB



Matte Black

Corvus Smart Canopy

Explore all the features available with our color changing light base.

What's included:

- Color changing Smart lighting base with SkyPlug and SkyOutlet Canopy and hardware
- Adapters for chain, rod or cord suspended fixtures
- Suitable for luminaires max. 50 lbs.
- 146 MM Diameter / 5.75" diameter
- Fits chain, rod, or cord suspended fixtures
- Works with AC direct power fixtures



Champagne Bronze Finish



Smart functions

- Phone
- Voice Control
- Scheduling
- Eco - Energy Saving Mode
- Dimming
- Backup Light
- Ambiance Color Changing
- Night Light
- Power Meter
- Grouping Control Mode

5927-BN



Brushed Nickel

5927-CH



Polished Chrome

5927-CB



Champagne Bronze

5927-WB



Weathered Brass

5927-MG



Modern Gold

5927-BR



Bronze

5927-MW



Matte White

5927-MB



Matte Black

Capella Smart Canopy

Explore all the features available with our color changing light base.

What's included:

- Color changing Smart lighting base with SkyPlug and SkyOutlet Canopy and hardware
- Adapters for chain, rod or cord suspended fixtures
- Suitable for luminaires max. 50 lbs.
- 146 MM Diameter / 5.75" diameter
- Fits chain, rod, or cord suspended fixtures
- Works with AC direct power fixtures



Modern Gold Finish



Smart functions

- Phone
- Voice Control
- Scheduling
- Eco - Energy Saving Mode
- Dimming
- Backup Light
- Ambiance Color Changing
- Night Light
- Power Meter
- Grouping Control Mode

5948-BN



Brushed Nickel

5948-CH



Polished Chrome

5948-CB



Champagne Bronze

5948-WB



Weathered Brass

5948-MG



Modern Gold

5948-BR



Bronze

5948-MW



Matte White

5948-MB



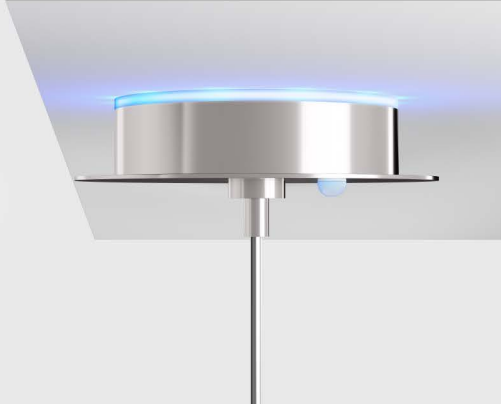
Matte Black

Mira Smart Canopy

Explore all the features available with our color changing light base.

What's included:

- Color changing Smart lighting base with SkyPlug and SkyOutlet Canopy and hardware
- Adapters for chain, rod or cord suspended fixtures
- Suitable for luminaires max. 50 lbs.
- 146 MM Diameter / 5.75" diameter
- Fits chain, rod, or cord suspended fixtures
- Works with AC direct power fixtures



Smart functions

- Phone
- Voice Control
- Scheduling
- Eco - Energy Saving Mode
- Dimming
- Backup Light
- Ambiance Color Changing
- Night Light
- Power Meter
- Grouping Control Mode

5934-BN



Brushed Nickel

5934-CH



Polished Chrome

5934-CB



Champagne Bronze

5934-WB



Weathered Brass

5934-MG



Modern Gold

5934-BR



Bronze

5934-MW



Matte White

5934-MB



Matte Black

Plug everywhere with SkyOutlet

Meet the new safety standard for ceilings when you install multiple SkyOutlets in any space.



Make every room safe in minutes:

- Hotel Rooms
- Cruise Ships
- Hospital - Elder Living
- Home Care
- Office
- Retail

Available models

1005-1

Single Pack
Model

1005-4

4 Pack
Model

1005-8

8 Pack
Model



Retrofit SkyPlug Kit for hanging luminaires

With hardware (finials and adaptors).

Product specs:

- 125VAC, 10A
- 18 AWG Stranded Wire
- 50 LBS Luminaire Support
- Paintable Finials In Brushed Nickel Finish
- SkyOutlet Sold Separately
- Use Original Canopy Supplied With Fixture

Available models

1210-1

Single Pack Model

1210-4

4 Pack Model

1210-8

8 Pack Model



SkyPlug with SkyOutlet Kit

A complete set for mounting luminaires.

Product specs:

SR-3L SkyOutlet With Cover-plate, Cover Cap
SkyPlug
All Hardware – Finials In Brushed Nickel Finish
Mounting Screws And Washers For SkyOutlet
Use Original Canopy Supplied With Fixture
Paintable
For Hanging Fixtures Only

SkyOutlet Specs

125VAC, 15A
12 or 14 AWG Solid Copper Wire
50 LBS Suitable For Luminaire Support

SkyPlug Specs

125VAC, 10A
18 AWG Stranded Wire

Available models multiple finishes

1200-1

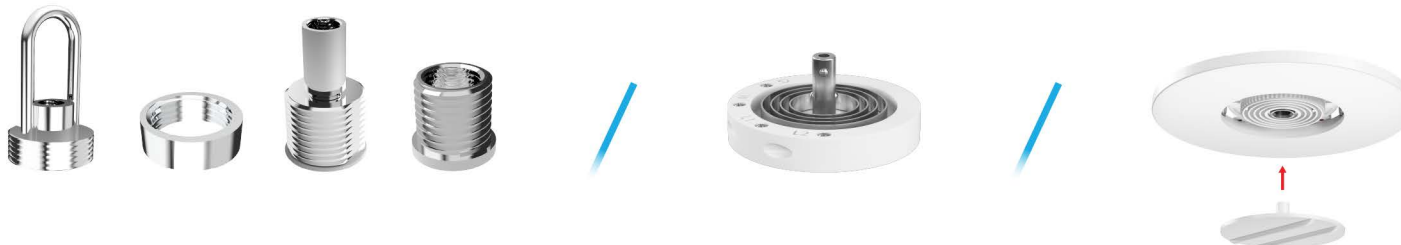
Single Pack
Model

1200-4

4 Pack
Model

1200-8

8 Pack
Model



2023 SkyPlug Canopy Standard

Available Finishes



Carina Standard Canopy

Simple Plug & Play base.

What's included:

- Standard lighting base with SkyPlug and SkyOutlet
- Canopy and hardware
- Adapters for chain, rod or cord suspended fixtures
- Suitable for luminaires max. 50 lbs.
- 127 mm / 5 in. diameter
- Fits chain, rod, or cord suspended fixtures
- Works with AC & DC power fixtures



Polished Chrome
Finish



5524-BN



Brushed Nickel

5524-CH



Polished Chrome

5524-CB



Champagne Bronze

5524-WB



Weathered Brass

5524-MG



Modern Gold

5524-BR



Bronze

5524-MW



Matte White

5524-MB



Matte Black

Capella Standard Canopy

Simple Plug & Play base.

What's included:

- Standard lighting base with SkyPlug and SkyOutlet Canopy and hardware
- Adapters for chain, rod or cord suspended fixtures
- Suitable for luminaires max. 50 lbs.
- 127 mm / 5 in. diameter
- Fits chain, rod, or cord suspended fixtures
- Works with AC & DC power fixtures



5531-BN



Brushed Nickel

5531-CH



Polished Chrome

5531-CB



Champagne Bronze

5531-WB



Weathered Brass

5531-MG



Modern Gold

5531-BR



Bronze

5531-MW



Matte White

5531-MB



Matte Black

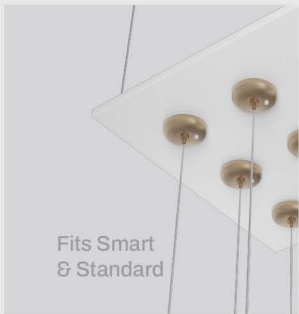
2023 Retailer Sales Tools

Available Items

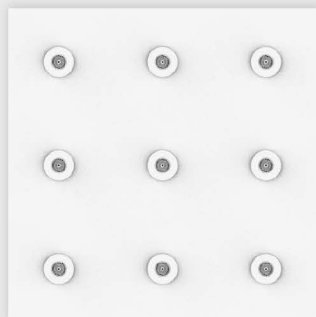


Retailer Ceiling Clouds

Seduce consumers with an efficient lighting tool. Plug in multiple fixtures at the same time.



Fits Smart
& Standard



Bottom View
4' X 4'

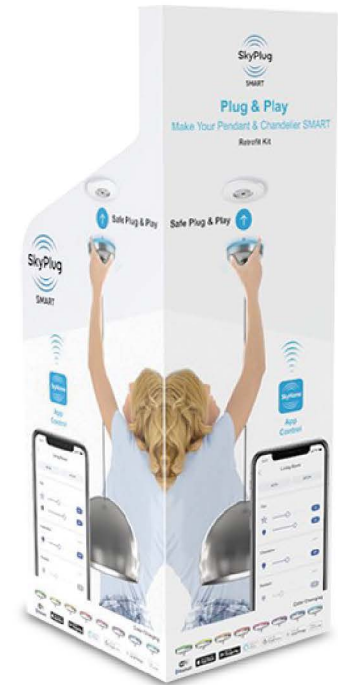
Available models

7004

Ceiling Cloud
Model

Packaging & POP Display

Grab attention with video prospecting on a 21.5" digital frame, already installed.
Catch the customer's eye.
Elevate brand perception.
Impulse buyers.



Available models



48 Box
Display With
21.5" Digital
Frame

Product Summary

SkyPlug Smart



SkyPlug Standard



Multiple Designs
& Finishes Available

SkyOutlet



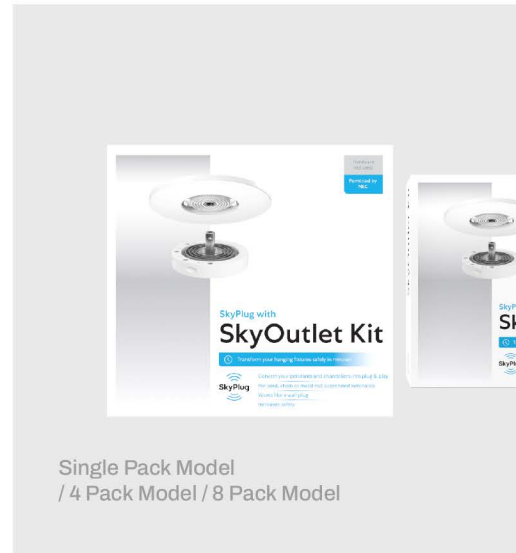
Single Pack Model
/ 4 Pack Model / 8 Pack Model

Retrofit SkyPlug Kit



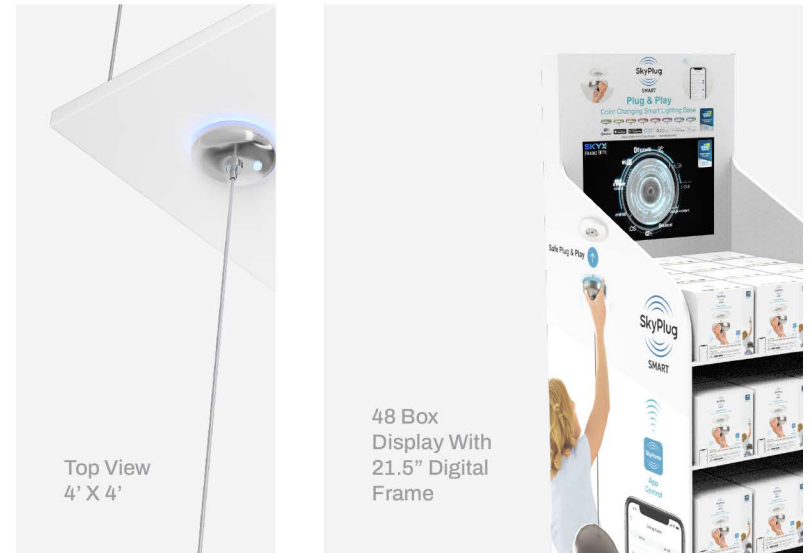
Single Pack Model
/ 4 Pack Model / 8 Pack Model

SkyPlug With SkyOutlet Kit



Single Pack Model
/ 4 Pack Model / 8 Pack Model

Retailer Sales Tools

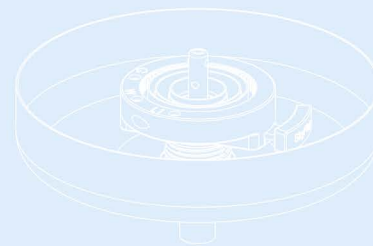


Top View
4' X 4'

48 Box
Display With
21.5\"/>

2023 Technical Data Sheet

Available Items Specs



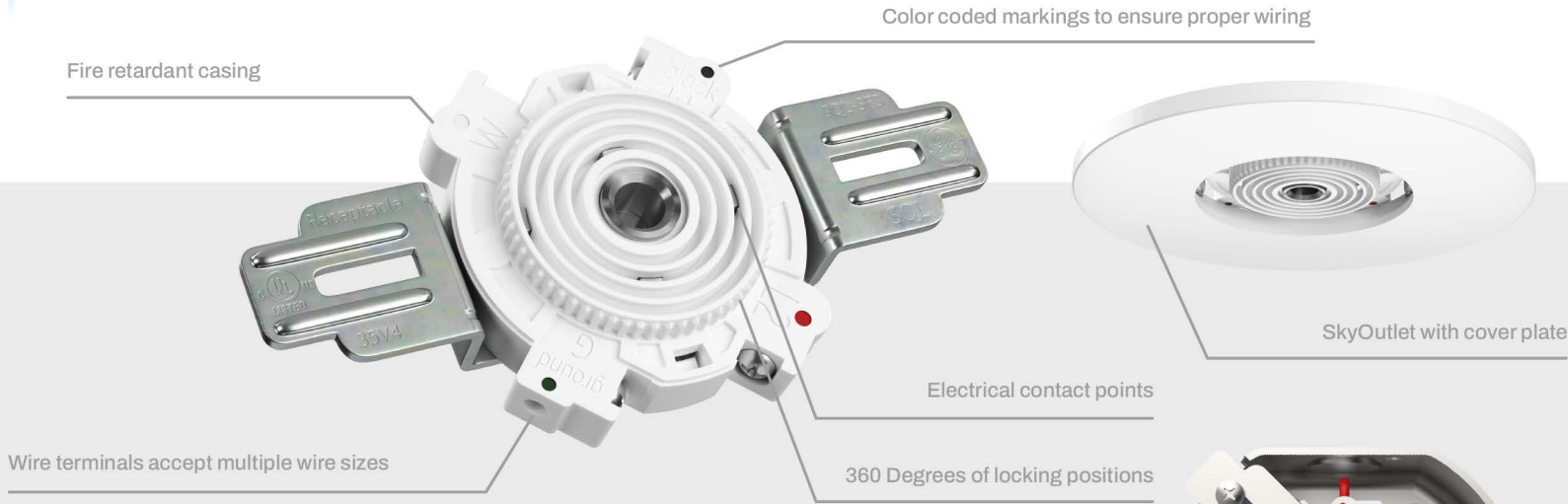
SkyOutlet

Weight Supporting Ceiling Receptacle

Specs:

SkyOutlet - Weight Supporting Ceiling Receptacle (WSCR) - designed to mate with SkyPlug Weight Supporting Attachment Fitting (WSAF) to provide electrical power and secure mounting for luminaires and other electrical equipment.

Permitted by **NEC**
ANSI/NEMA WD 6-2021
UL498

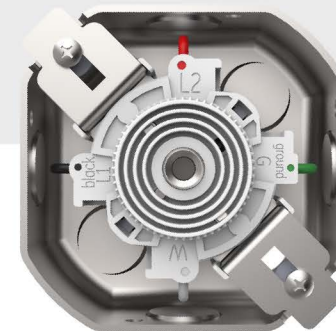


Commercial Applications

Residential Home Builder
Property Development / Multi-tenant
Hospitality
Retail

Code

NEC 2017, Article 314.27, recognizes new technology designed to power and support luminaires from a receptacle and mounting means located in or mounted directly to the box

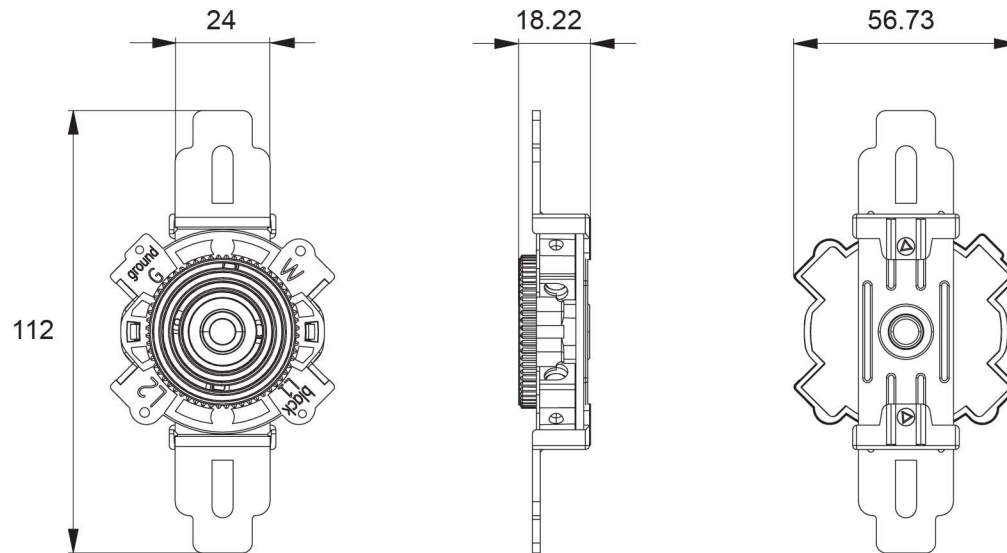


Mounted in Junction Box

Features & Benefits:

Easy-to-install Code compliant mounting & coupling system
 Visual color-coding aid on SkyOutlet to ensure proper wiring connection
 Low-profile for maximum wiring room in junction box, Min. size 4" x ½" outlet box.
 Meets UL 498 and CSA C22.2 No 42 Finger-Probe safety requirements
 Flame Retardent Casing Rated at 130 degrees C
 Accepts No. 12 and No. 14 AWG solid wire
 Side-wire terminal with screw taps for maximum conductivity and wire retention

Electrical contact points are copper coated with Nickel plating for corrosion-resistance and wear protection
 Certified for Luminaire Support 50 Lbs. Max.
 Meets UL 514A Fixture/Luminaire Studs pull test with 200lb static load
 UL / cUL Listed (File # E256356)
 CE Certified
 Compliant with 2017 NEC, Article 314.27, 422.33, Article 100 definition
 1 Year Limited Product Warranty



Units in MM

"Mating System" - Must use in combination with compatible SkyOutlet mounting support

Model	Description	Electrical Ratings	Contacts	Contact Description
SR-3L	Receptacle	125 Vac, 15A	3	L1, L2, Neutral, Ground

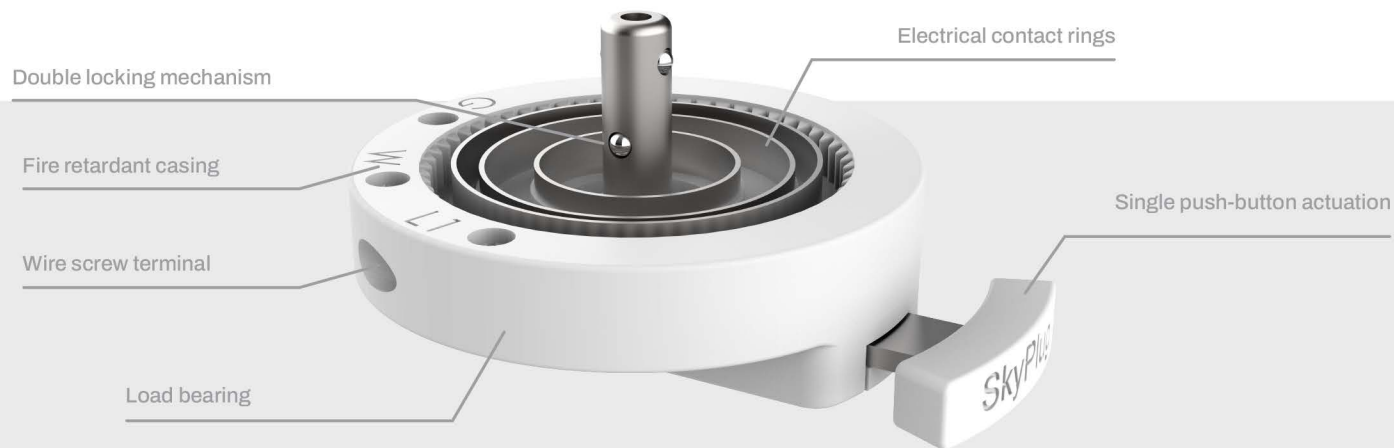
SkyPlug

Weight Supporting Attachment Fitting

Specs:

SkyPlug - Weight Supporting Attachment Fitting (WSAF) - designed to mate with corresponding SkyOutlet - Weight Supporting Ceiling Receptacle (WSCR) to provide electrical power and secure mounting for luminaires and electrical devices. SkyPlug devices are factory assembled into electrical equipment for simple and safe ceiling or wall plug-in installations.

Permitted by **NEC**
ANSI/NEMA WD 6-2021
UL498



Commercial Applications

Residential Home Builder
Property Development / Multi-tenant
Hospitality
Retail

Code

NEC 2017, Article 314.27, recognizes new technology designed to power and support luminaires from a receptacle and mounting means located in or mounted directly to the box

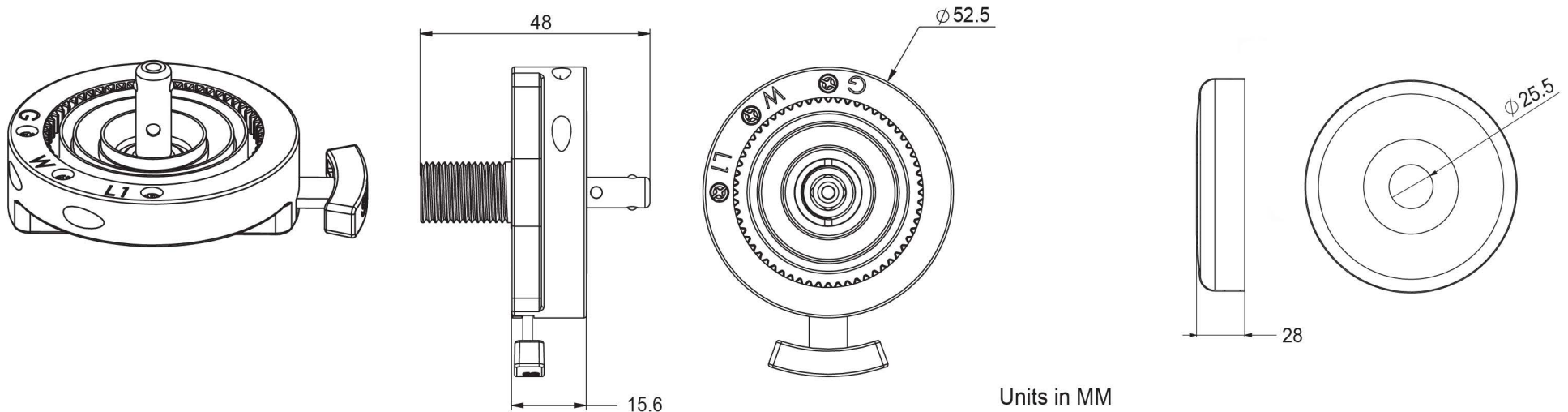


Light Fixture
With SkyPlug

Features & Benefits:

- Stainless steel 303 single push-pin actuation for quick release of luminaires
- Inner teeth allow for 360 degree alignment and locking position on SkyOutlet
- Screw-Based wire termination for maximum conductivity and wire retention
- 1/2-20 threaded rod for securing luminaires
- Slotted/phillips combo screws for flexibility in field
- Dry or damp location use
- UL File #E306210

- Brass electrical contact rings with Nickel plating to provide corrosion resistance protection
- Side-wire termination, accepts No.18 & No.20 AWG stranded wire
- Suitable for Luminaire support Max. 50 lbs.
- Double locking mechanism
- Tested to 200 lbs static load
- Universal application for assembly to wall or ceiling mounted luminaires
- CE Certified



"Mating System"- Must use in combination with compatible SkyOutlet mounting support

"Standard Canopy" - Center hole diameter minimum 13mm and height minimum 20mm

Model	Description	Electrical Ratings	# Rings	Mating SkyOutlet
SPU-3L	Luminaire Plug	12V, 10A, 1200 Watts	L1 Live, Neutral, Ground	SR-3L, SR-4L, SR-4F

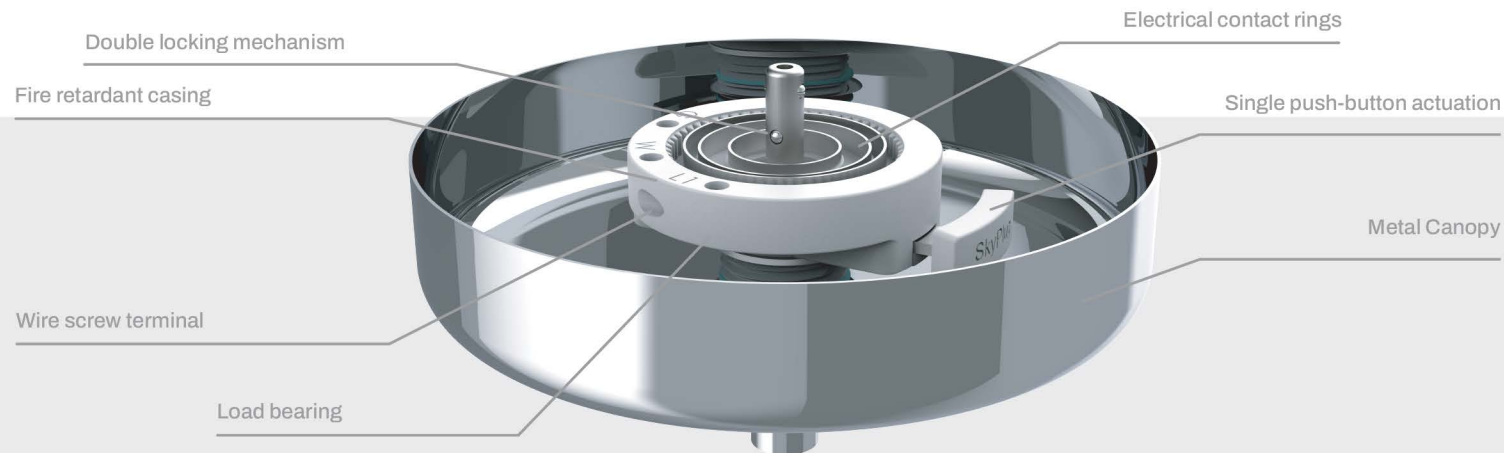
SkyPlug

Plug & Play Kit For Light Fixtures

Specs:

SkyPlug - Weight Supporting Attachment Fitting (WSAF) - designed to mate with corresponding SkyOutlet - Weight Supporting Ceiling Receptacle (WSCR) to provide electrical power and secure mounting for luminaires and electrical devices. SkyPlug devices are factory assembled into electrical equipment for simple and safe ceiling or wall plug-in installations.

Permitted by **NEC**
ANSI/NEMA WD 6-2021
UL498 UL1598



Commercial Applications

Residential Home Builder
Property Development / Multi-tenant
Hospitality
Retail

Code

NEC 2017, Article 314.27, recognizes new technology designed to power and support luminaires from a receptacle and mounting means located in or mounted directly to the box



Light Fixture
With SkyPlug

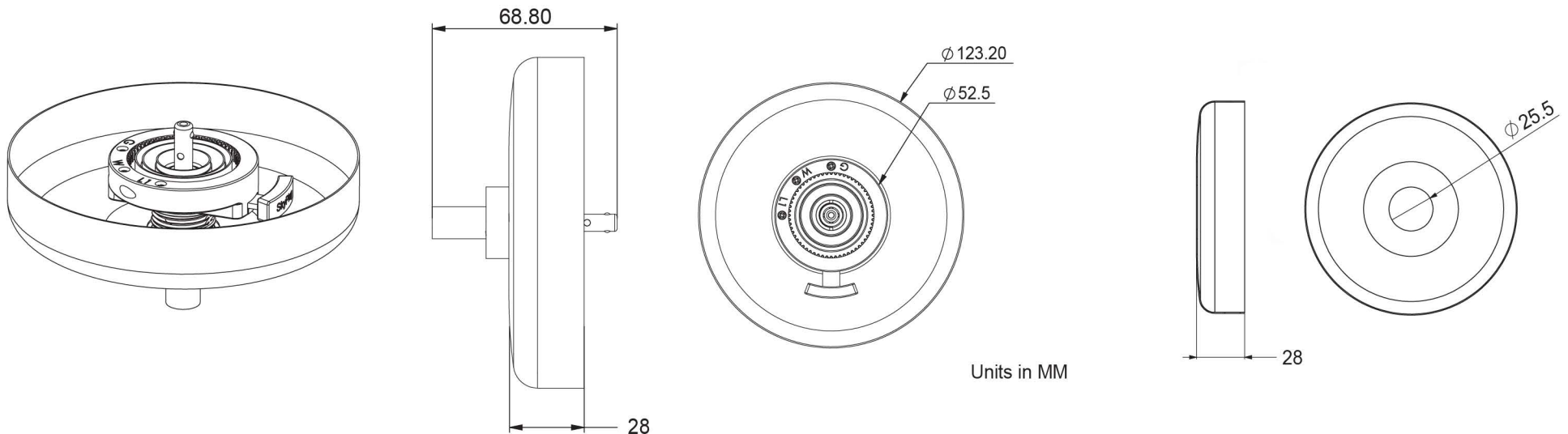


Finials And Adaptors

Features & Benefits:

- Stainless steel 303 single push-pin actuation for quick release of luminaires
- Inner teeth allow for 360 degree alignment and locking position on SkyOutlet
- Screw-Based wire termination for maximum conductivity and wire retention
- 1/2-20 threaded rod for securing luminaires
- Slotted/phillips combo screws for flexibility in field
- Dry or damp location use
- SkyPlug UL File #E306210
- Listed Luminaire Fitting E239007

- Brass electrical contact rings with Nickel plating to provide corrosion resistance protection
- Side-wire termination, accepts No.18 & No.20 AWG stranded wire
- Suitable for Luminaire support Max. 50 lbs.
- Double locking mechanism
- Tested to 200 lbs static load
- Universal application for assembly to wall or ceiling mounted luminaires
- CE Certified



“Mating System”- Must use in combination with compatible SkyOutlet mounting support

“Standard Canopy” - Center hole diameter minimum 13mm and height minimum 20mm

Model	Description	Electrical Ratings	# Rings	Mating SkyOutlet
SPU-3L	Luminaire Plug	120V, 10A, 1200 Watts	L1 Live, Neutral, Ground	SR-3L, SR-4L, SR-4F

SkyPlug Smart

SmartPlug & Play Kit For Light Fixtures

Specs:

SkyPlug - Weight Supporting Attachment Fitting (WSAF) – designed to mate with corresponding SkyOutlet Weight Supporting Ceiling Receptacle (WSCR) to provide electrical power and secure plug-in mounting for luminaires. SkyPlug Smart devices are designed to fit into luminaires for simple and safe ceiling installations.

Permitted by **NEC**
ANSI/NEMA WD 6-2021
UL498 UL1472 UL1598



Light Color Changing Modes



Smart features

- Phone
- Voice Control
- Scheduling
- Eco - Energy Saving Mode
- Dimming
- Backup Light
- Ambiance Color Changing
- Night Light
- Power Meter
- Grouping Control Mode



Light fixture With **Smart Controller**

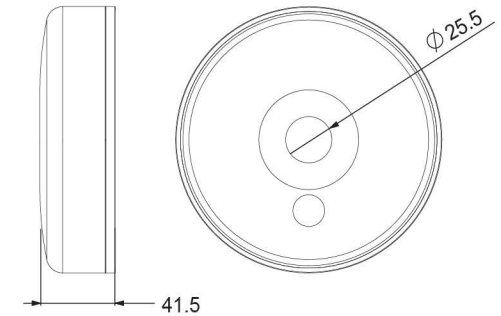
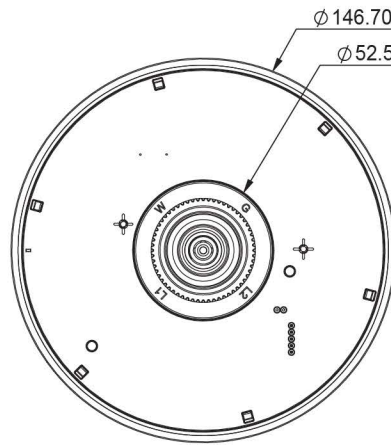
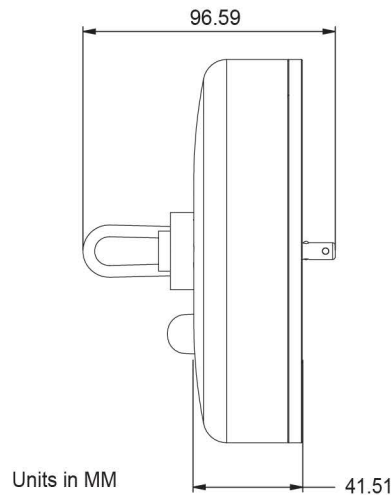


Finials And Adaptors

Features & Benefits:

- Stainless steel 303 single push-pin actuation for quick release of luminaires
- Inner teeth allow for 360 degree alignment and locking position on SkyOutlet
- Screw-Based wire termination for maximum conductivity and wire retention
- 1/2-20 threaded rod for securing luminaires
- Slotted/phillips combo screws for flexibility in field
- Dry or damp location use
- For AC fixtures only
- Not for use with dimmer switches
- UL Luminaire Fitting E239007

- Brass electrical contact rings with Nickel plating to provide corrosion resistance protection
- Side-wire termination, accepts No.18 & No.20 AWG stranded wire
- Suitable for Luminaire support Max. 50 lbs.
- Double locking mechanism
- Tested to 200 lbs static load
- Smart features include phone control, voice control, dimming, scheduling, RGB changing ring light, back up white “emergency” light
- UL File #E306210
- Smart Controller E506538



“Mating System”- Must use in combination with compatible SkyOutlet mounting support

“Smart Canopy” - Center hole diameter minimum 25.5mm Height minimum 41.5mm

Commercial Applications

Residential Home Builder
Property Development / Multi-tenant
Hospitality
Retail

Code

NEC 2017, Article 314.27, recognizes new technology designed to power and support luminaires from a receptacle and mounting means located in or mounted directly to the box

Model	Description	Electrical Ratings	# Rings	Mating SkyOutlet
0252	Smart Controller	120V, 2A, 240W, 1A LED	3-L1 Live, Neutral, Ground	SR-3L, SR-4L, SR-4F

SkyPlug Smart

Smart Plug & Play Controller For Light Fixtures

Specs:

SkyPlug - Weight Supporting Attachment Fitting (WSAF) – designed to mate with corresponding SkyOutlet Weight Supporting Ceiling Receptacle (WSCR) to provide electrical power and secure plug-in mounting for luminaires. SkyPlug Smart devices are designed to fit into luminaires for simple and safe ceiling installations.

Permitted by **NEC**
ANSI/NEMA WD 6-2021
UL498 UL1472



Smart features

- Phone
- Voice Control
- Scheduling
- Eco - Energy Saving Mode
- Dimming
- Backup Light
- Ambiance Color Changing
- Night Light
- Power Meter
- Grouping Control Mode

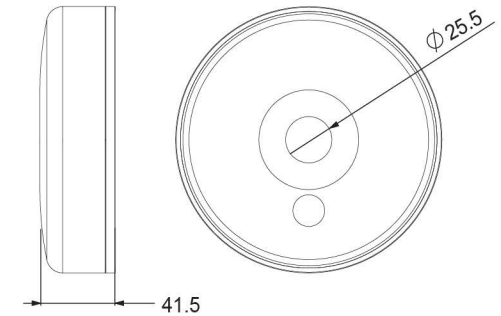
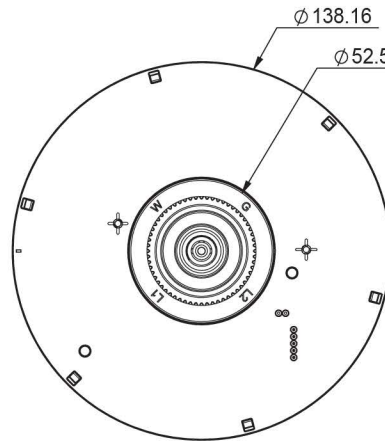
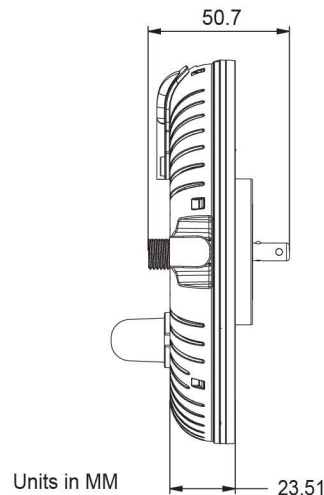


Light Fixture
With Smart Controller

Features & Benefits:

- Stainless steel 303 single push-pin actuation for quick release of luminaires
- Inner teeth allow for 360 degree alignment and locking position on SkyOutlet
- Screw-Based wire termination for maximum conductivity and wire retention
- 1/2-20 threaded rod for securing luminaires
- Slotted/phillips combo screws for flexibility in field
- Dry or damp location use
- For AC fixtures only
- Not for use with dimmer switches
- Smart Controller E506538

- Brass electrical contact rings with Nickel plating to provide corrosion resistance protection
- Wire terminal, accepts No.18 & No.20 AWG stranded wire
- Suitable for Luminaire support Max. 50 lbs.
- Double locking mechanism
- Tested to 200 lbs static load
- Smart features include phone control, voice control, dimming, scheduling, RGB changing ring light, back up white “emergency” light
- Smart Plug UL File #E306210



“Mating System”- Must use in combination with compatible SkyOutlet mounting support

“Smart Canopy” - Center hole diameter minimum 25.5mm Height minimum 41.5mm

Commercial Applications

Residential Home Builder
Property Development / Multi-tenant
Hospitality
Retail

Code

NEC 2017, Article 314.27, recognizes new technology designed to power and support luminaires from a receptacle and mounting means located in or mounted directly to the box

Model	Description	Electrical Ratings	# Rings	Mating SkyOutlet
0252	Smart Controller	120V, 2A, 240W, 1A LED	3-L1 Live, Neutral, Ground	SR-3L, SR-4L, SR-4F

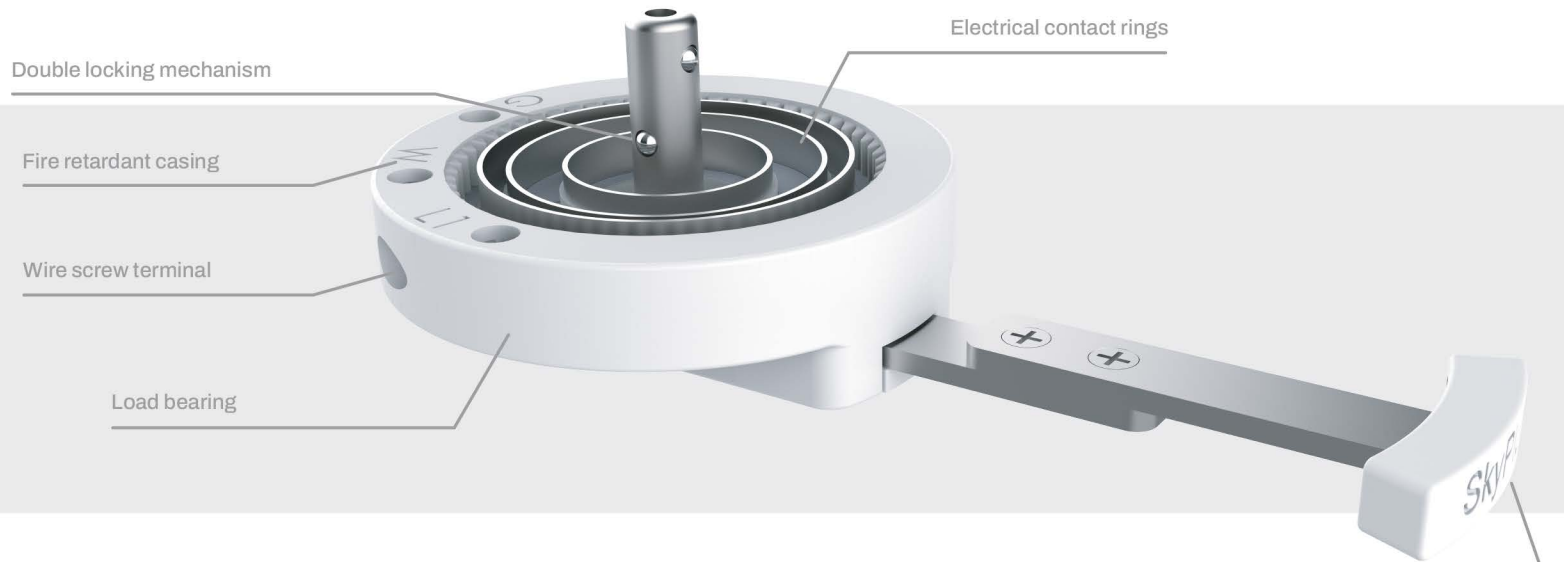
SkyPlug

Weight Supporting Attachment Fitting For OEM Light Fixtures

Specs:

SkyPlug - Weight Supporting Attachment Fitting (WSAF) - designed to mate with corresponding SkyOutlet - Weight Supporting Ceiling Receptacle (WSCR) to provide electrical power and secure mounting for luminaires and electrical devices. SkyPlug devices are factory assembled into electrical equipment for simple and safe ceiling or wall plug-in installations.

Permitted by **NEC**
ANSI/NEMA WD 6-2021
UL498



Commercial Applications

Residential Home Builder
Property Development / Multi-tenant
Hospitality
Retail

Code

NEC 2017, Article 314.27, recognizes new technology designed to power and support luminaires from a receptacle and mounting means located in or mounted directly to the box

Single push-button actuation

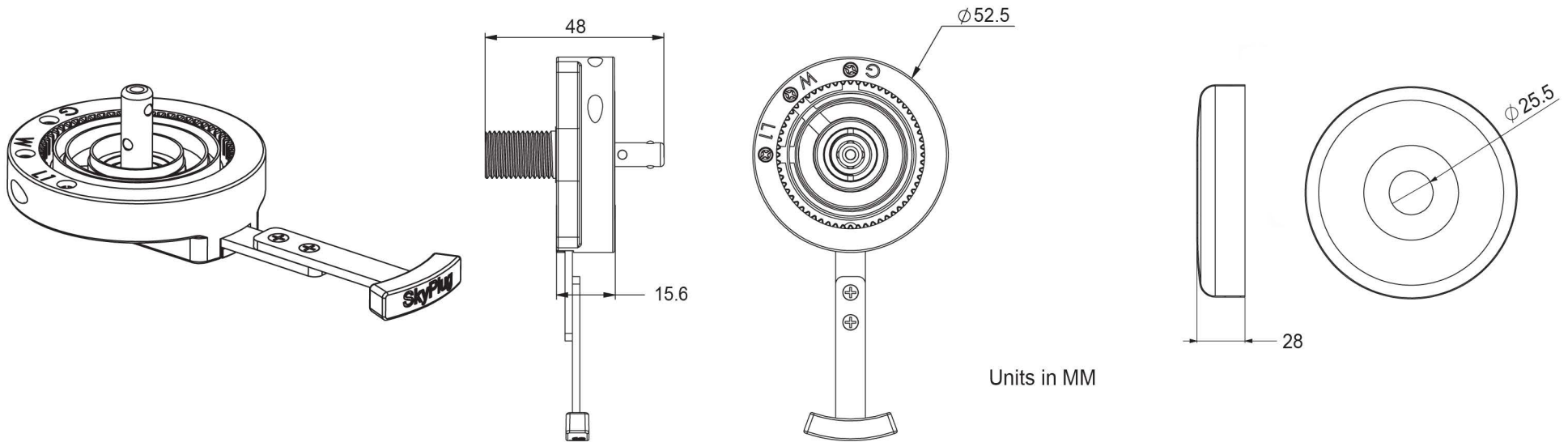


Light Fixture
With SkyPlug

Features & Benefits:

- Stainless steel 303 single push-pin actuation for quick release of luminaires
- Inner teeth allow for 360 degree alignment and locking position on SkyOutlet
- Screw-Based wire termination for maximum conductivity and wire retention
- 1/2-20 threaded rod for securing luminaires
- Slotted/phillips combo screws for flexibility in field
- Dry or damp location use
- UL File #E306210

- Brass electrical contact rings with Nickel plating to provide corrosion resistance protection
- Side-wire termination, accepts No.18 & No.20 AWG stranded wire
- Suitable for Luminaire support Max. 50 lbs.
- Double locking mechanism
- Tested to 200 lbs static load
- Universal application for assembly to wall or ceiling mounted luminaires
- CE Certified



"Mating System"- Must use in combination with compatible SkyOutlet mounting support

"Standard Canopy" - Center hole diameter minimum 13mm and height minimum 20mm

Model	Description	Electrical Ratings	# Rings	Mating SkyOutlet
SPU-3L	Luminaire Plug	120V, 10A, 1200 Watts	L1 Live, Neutral, Ground	SR-3L, SR-4L, SR-4F

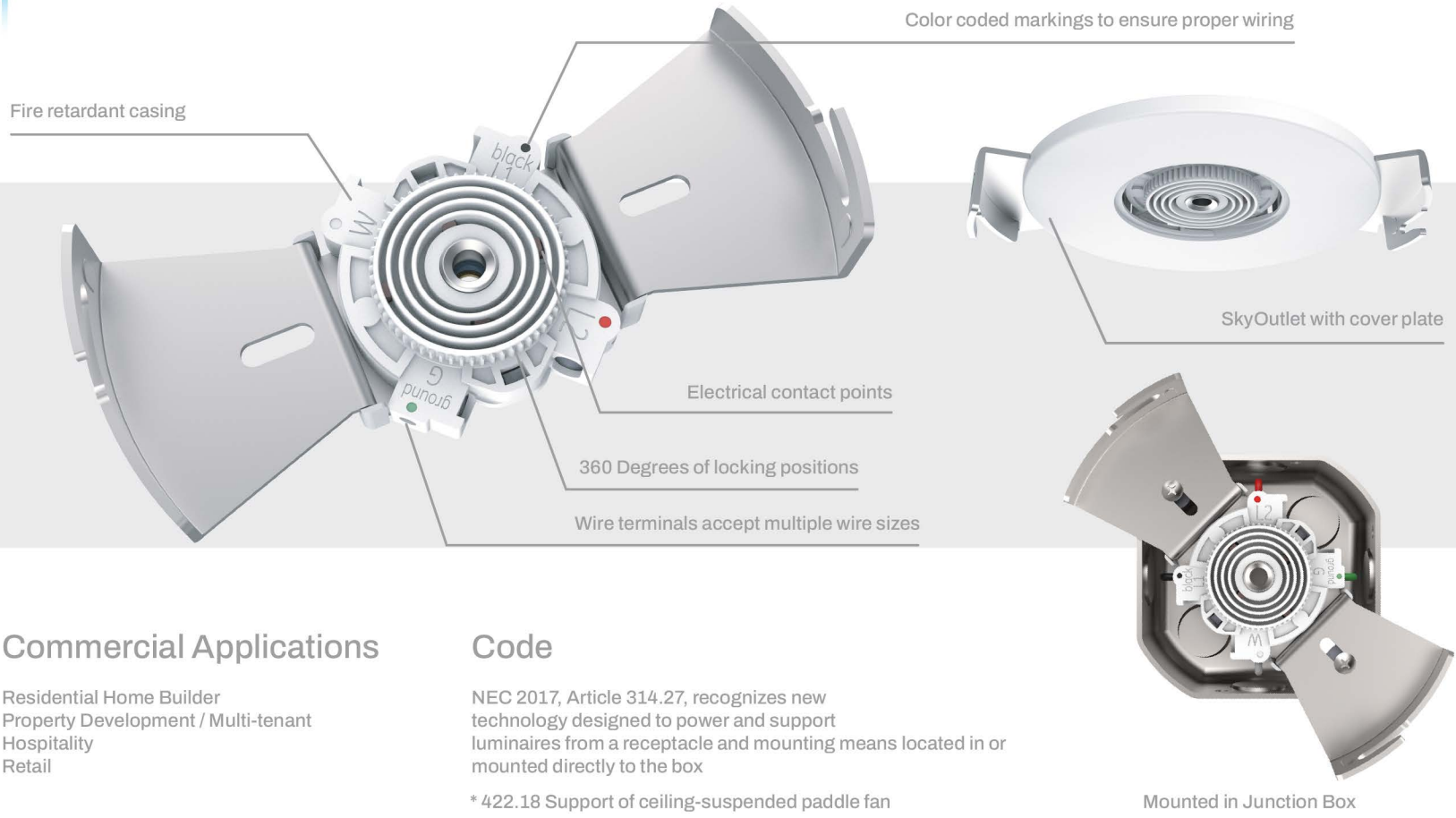
SkyOutlet

Weight Supporting Ceiling Receptacle For Ceiling Fans

Specs:

SkyOutlet - Weight Supporting Ceiling Receptacle (WSCR) - designed to mate with SkyPlug Weight Supporting Attachment Fitting (WSAF) to provide electrical power and secure mounting for ceiling fans.

Permitted by **NEC**
ANSI/NEMA WD 6-2021
UL498



Commercial Applications

Residential Home Builder
Property Development / Multi-tenant
Hospitality
Retail

Code

NEC 2017, Article 314.27, recognizes new technology designed to power and support luminaires from a receptacle and mounting means located in or mounted directly to the box

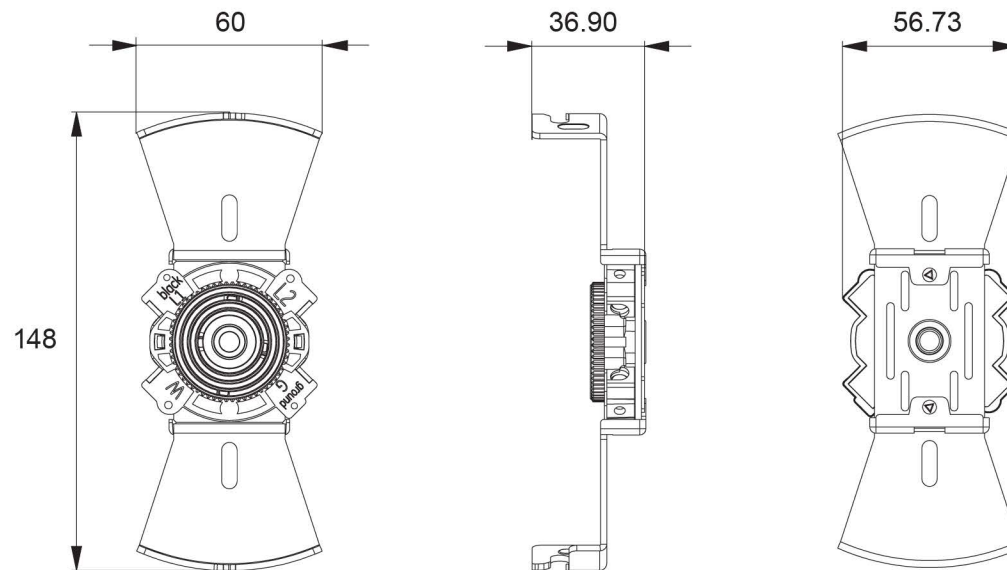
* 422.18 Support of ceiling-suspended paddle fan

Mounted in Junction Box

Features & Benefits:

Easy-to-install Code compliant mounting & coupling system
 Visual color-coding aid on SkyOutlet to ensure proper wiring connection
 Low-profile for maximum wiring room in junction box, use box marked for fan support min. size 4" x 1/2"
 Meets UL 498 and CSA C22.2 No 42 Finger-Probe safety requirements
 Flame Retardent Casing Rated at 130 degrees C
 Accepts No. 12 and No. 14 AWG solid wire
 Side-wire terminal with screw taps for maximum conductivity and wire retention

Meets UL514A ceiling-suspended fan support
 Electrical contact points are copper coated with Nickel plating for corrosion-resistance and wear protection
 Certified for ceiling fan support 70 Lbs. Max. in USA 35 Lbs. Max. in Canada
 UL / cUL Listed (File # E256356)
 CE Certified
 Compliant with 2017 NEC, Article 314.27, 422.18, 422.33, Article 100 definition
 1 Year Limited Product Warranty



Units in MM

"Mating System" - Must use in combination with compatible SkyOutlet mounting support

Model	Description	Electrical Ratings	Contacts	Contact Description
SR-4F	Ceiling Fan Receptacle	125Vac, 15A	4	L1 (Fan), L2 (Fan Light), Neutral, Ground L2 not wired for remote or smart control fans

SkyFan Smart

Smart Plug & Play Kit For Ceiling Fans

Specs:

SkyPlug - Weight Supporting Attachment Fitting (WSAF) – designed to mate with corresponding SkyOutlet Weight Supporting Ceiling Receptacle (WSCR) to provide electrical power and secure plug-in mounting for fans. SkyPlug Smart devices are designed to fit into fans for simple and safe ceiling installations.

Permitted by **NEC**
ANSI/NEMA WD 6-2021
UL498 UL507 UL1917



Light Color Changing Modes



Smart features

- Phone
- Voice Control
- Scheduling
- Eco - Energy Saving Mode
- Dimming
- Backup Light
- Ambiance Color Changing
- Night Light
- Power Meter
- Grouping Control Mode

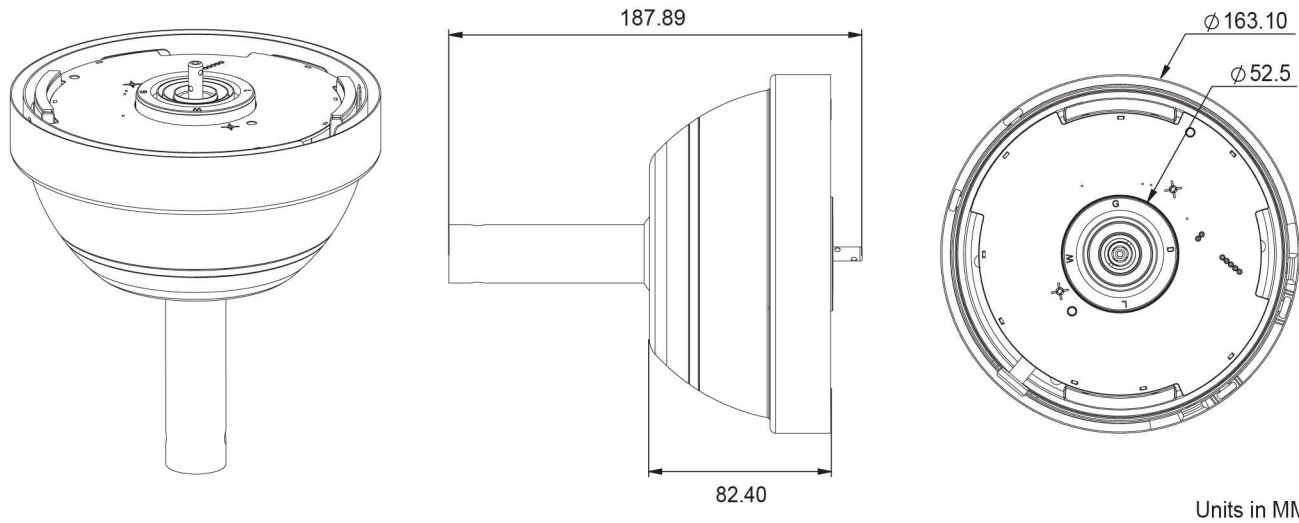


Ceiling Fan With SkyPlug

Features & Benefits:

- Stainless steel 303 single push-pin actuation for quick release of fans
- Screw-Based wire termination for maximum conductivity and wire retention
- 1/2-20 threaded rod for securing fans
- Slotted/phillips combo screws for flexibility in field
- Dry or damp location use
- UL Solid State Fan Controller E497763
- Universal application for assembly to ceiling fans

- Brass electrical contact rings with Nickel plating to provide corrosion resistance protection
- Side-wire termination, accepts No.18 & No.20 AWG stranded wire
- Suitable for Fan support Max. 70 lbs. USA and 35 lbs. Canada
- Double locking mechanism
- Tested to 200 lbs static load
- SkyPlug E306210



“Mating System”- Must use in combination with compatible SkyOutlet mounting support

Commercial Applications

Residential Home Builder
 Property Development / Multi-tenant
 Hospitality
 Retail

Code

NEC 2017, Article 314.27, recognizes new technology designed to power and support luminaires from a receptacle and mounting means located in or mounted directly to the box

Model	Description	Electrical Ratings	Tabs	# Rings	Mating SkyOutlet
0252	Fan Smart Controller	120V, 1.5A Fan / 80W Light Kit	4	3-L1 Live, Neutral, Ground	SR-4F

SkyFan Smart

Smart Plug & Play Controller For Ceiling Fans

Specs:

SkyPlug - Weight Supporting Attachment Fitting (WSAF) – designed to mate with corresponding SkyOutlet Weight Supporting Ceiling Receptacle (WSCR) to provide electrical power and secure plug-in mounting for fans. SkyPlug Smart devices are designed to fit into fans for simple and safe ceiling installations.

Permitted by **NEC**
ANSI/NEMA WD 6-2021
UL498 UL1917



Smart features

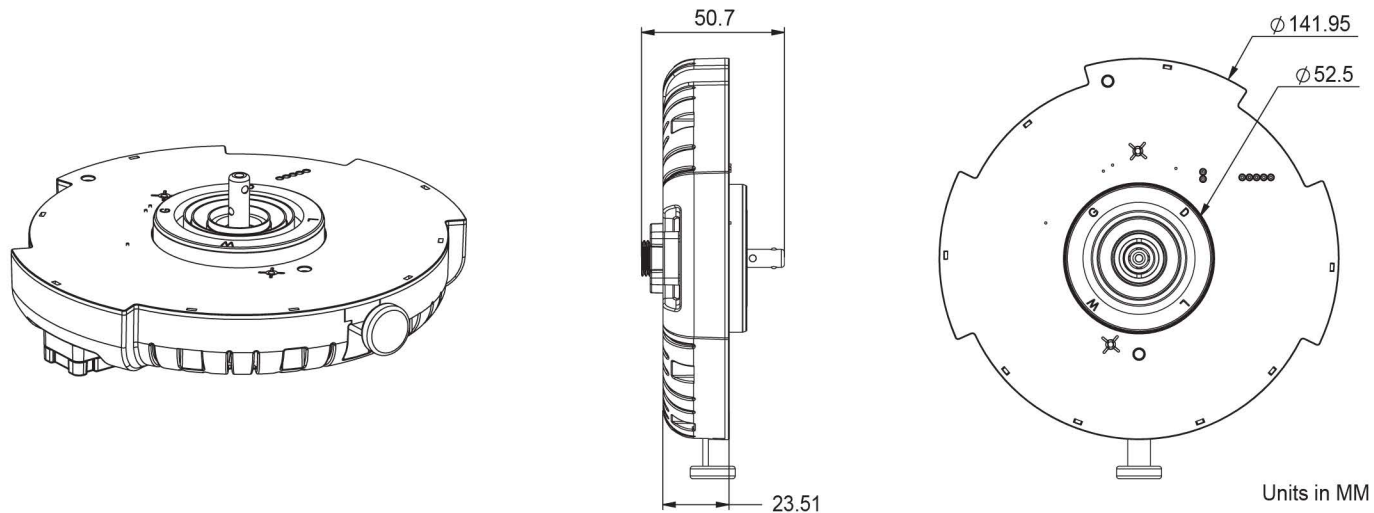
- Phone
- Voice Control
- Scheduling
- Eco - Energy Saving Mode
- Dimming
- Backup Light
- Ambiance Color Changing
- Night Light
- Power Meter
- Grouping Control Mode



Features & Benefits:

- Stainless steel 303 single push-pin actuation for quick release of luminaires
- Inner teeth allow for 360 degree alignment and locking position on SkyOutlet
- Screw-Based wire termination for maximum conductivity and wire retention
- 1/2-20 threaded rod for securing fans
- Slotted/phillips combo screws for flexibility in field
- Dry or damp location use
- Suitable for fan support

- Brass electrical contact rings with Nickel plating to provide corrosion resistance protection
- Wire terminal, accepts No.18 & No.20 AWG stranded wire
- Suitable for Fan support Max. 50 lbs.
- Double locking mechanism
- Tested to 200 lbs static load
- Universal application for assembly to ceiling fans
- Smart Fan Controller E497763



“Mating System”- Must use in combination with compatible SkyOutlet mounting support

Commercial Applications

Residential Home Builder
 Property Development / Multi-tenant
 Hospitality
 Retail

Code

NEC 2017, Article 314.27, recognizes new technology designed to power and support luminaires from a receptacle and mounting means located in or mounted directly to the box

Model	Description	Electrical Ratings	Tabs	# Rings	Mating SkyOutlet
SSPU-3F	Ceiling Fan Plug	120V, 5A, 600 Watts	4	3-L1 Live, Neutral, Ground	SR-4F
0253	Fan Smart Controller	120V, 1.5A Fan / 80W Light Kit			



SKYX
PLATF O R M S
1-855-SkyPlug | SkyPlug.com
All rights reserved ©

Follow us:

